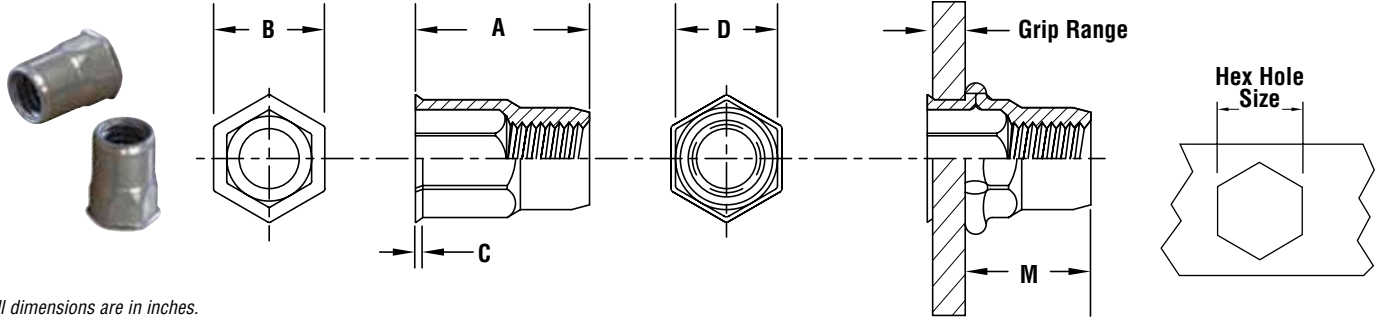




- Stainless Steel insert for superior corrosion resistance.
- Hexagonal hole for increased spinout resistance.

**Installed With a Spin-Pull Tool**  
(See page 29)



All dimensions are in inches.

| Thread Size (1) | Part Number    | Grip Range (1) | A ±.010 | B ±.012 | C ±.004 | D Max. | M Ref. | Hex Hole Size In Sheet +.004 -.000 |
|-----------------|----------------|----------------|---------|---------|---------|--------|--------|------------------------------------|
| #8-32           | AETHC-832-80   | .020 - .080    | .430    | .260    | .020    | .235   | .270   | .236                               |
| #10-32          | AETHC-1032-120 | .020 - .120    | .470    | .300    | .020    | .275   | .260   | .276                               |
| 1/4-20          | AETHC-420-120  | .020 - .120    | .570    | .380    | .025    | .353   | .335   | .354                               |
| 1/4-20          | AETHC-420-220  | .120 - .220    | .650    | .380    | .025    | .353   | .305   | .354                               |
| 5/16-18         | AETHC-518-120  | .020 - .120    | .630    | .470    | .028    | .432   | .355   | .433                               |

All dimensions are in millimeters.

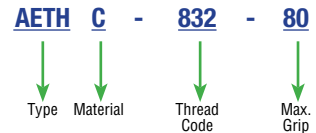
| Thread Size (1) | Part Number  | Grip Range (1) | A ±0.25 | B ±0.31 | C ±0.1 | D Max. | M Ref. | Hex Hole Size In Sheet +0.1 |
|-----------------|--------------|----------------|---------|---------|--------|--------|--------|-----------------------------|
| M4              | AETHC-M4-2.0 | 0.5 - 2        | 10.92   | 6.6     | 0.51   | 5.98   | 6.85   | 6                           |
| M5              | AETHC-M5-3.0 | 0.5 - 3        | 11.94   | 7.62    | 0.51   | 6.98   | 6.6    | 7                           |
| M6              | AETHC-M6-3.0 | 0.5 - 3        | 14.48   | 9.65    | 0.64   | 8.98   | 8.5    | 9                           |
| M6              | AETHC-M6-5.5 | 3 - 5.5        | 16.51   | 9.65    | 0.64   | 8.98   | 7.75   | 9                           |
| M8              | AETHC-M8-3.0 | 0.5 - 3        | 16      | 11.94   | 0.71   | 10.98  | 9      | 11                          |

(1) Additional thread sizes and grip ranges available.

## MATERIAL & FINISH SPECIFICATIONS

| Type  | Threads  | Standard Material <sup>(2)</sup> | Standard Finish                        |
|-------|--|----------------------------------|--|
| AETHC | Unified, 2B per ASME B1.1 Metric, 6H per ASME B1.13M | 300 Series Stainless Steel       | Passivated and/or tested per ASTM A380 |

### Part Number Designation



(2) Other materials available. See page 34 for details.

## PERFORMANCE DATA

| Part Number    | Test Sheet                 | Near Minimum Grip |                |                    |                   | Near Maximum Grip |                |                    |                   |
|----------------|----------------------------|-------------------|----------------|--------------------|-------------------|-------------------|----------------|--------------------|-------------------|
|                |                            | Pullout (lbs.)    | Pushout (lbs.) | Spinout (in. lbs.) | Upset Load (lbs.) | Pullout (lbs.)    | Pushout (lbs.) | Spinout (in. lbs.) | Upset Load (lbs.) |
| AETHC-832-80   | 300 Series Stainless Steel | 675               | 215            | 29                 | 875               | 2400              | 450            | 55                 | 1700              |
| AETHC-1032-120 | 300 Series Stainless Steel | 675               | 260            | 29                 | 1150              | 2800              | 460            | 85                 | 2000              |
| AETHC-420-120  | 300 Series Stainless Steel | 775               | 265            | 65                 | 1700              | 4800              | 720            | 160                | 3100              |
| AETHC-420-220  | 300 Series Stainless Steel | 4100              | 570            | 165                | 1700              | 5100              | 650            | 205                | 3100              |
| AETHC-518-120  | 300 Series Stainless Steel | 825               | 260            | 90                 | 2700              | 7000              | 1000           | 250                | 4600              |

| Part Number  | Test Sheet                 | Near Minimum Grip |              |               |                 | Near Maximum Grip |              |               |                 |
|--------------|----------------------------|-------------------|--------------|---------------|-----------------|-------------------|--------------|---------------|-----------------|
|              |                            | Pullout (kN)      | Pushout (kN) | Spinout (N•m) | Upset Load (kN) | Pullout (kN)      | Pushout (kN) | Spinout (N•m) | Upset Load (kN) |
| AETHC-M4-2.0 | 300 Series Stainless Steel | 3.0               | 1.0          | 3.3           | 3.9             | 10.7              | 2.0          | 6.2           | 7.7             |
| AETHC-M5-3.0 | 300 Series Stainless Steel | 3.0               | 1.2          | 3.3           | 5.1             | 12.5              | 2.0          | 9.6           | 8.9             |
| AETHC-M6-3.0 | 300 Series Stainless Steel | 3.4               | 1.2          | 7.3           | 7.6             | 21.4              | 3.2          | 18.1          | 13.8            |
| AETHC-M6-5.5 | 300 Series Stainless Steel | 18.2              | 2.5          | 18.6          | 7.6             | 22.7              | 2.9          | 23.2          | 13.8            |
| AETHC-M8-3.0 | 300 Series Stainless Steel | 3.7               | 1.2          | 10.2          | 12.0            | 31.1              | 4.4          | 28.2          | 20.5            |